

TEMPUR+SEALY

MATTRESS CARE GUIDE

Proper care is important for ensuring the optimal sleep experience for your guests and maximizing mattress life.

Mattress Support Options

Easy Cleaning and Maintenance

Moving and Storage

Warranty

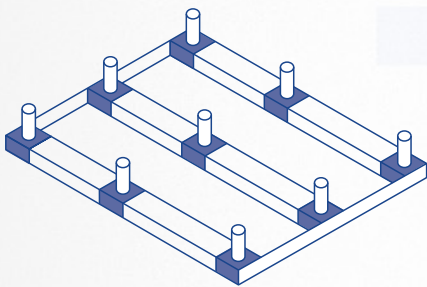


Mattress Support Options

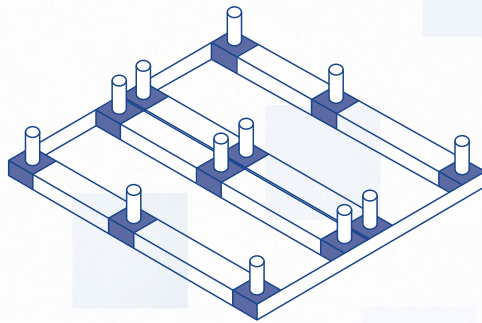
You have two options for supporting your new mattresses: foundations with bedframes, and bed platforms. We don't recommend reusing old support systems with new mattresses, or placing a board between the mattress and support system. A high-quality support system is vital for creating the optimal sleep experience.

Foundations with Bedframes

Foundations must be used with bedframes. Legs should be positioned at the support points shown below.



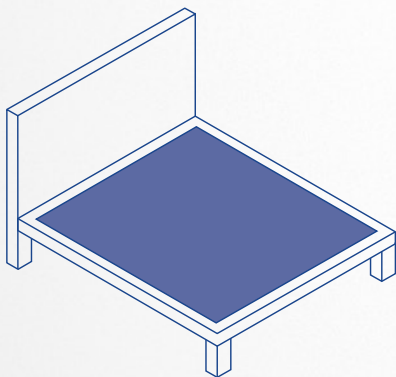
9 support points
Full XL and Queen-size
Mattresses



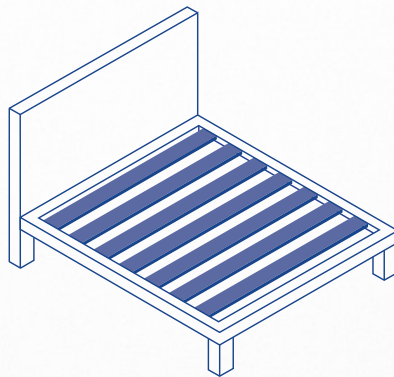
12 support points
King-size Mattresses

Bed Platforms

Platforms are available in solid and slatted designs.



Solid Platforms



Slatted Platforms
5 or more hardwood
cross slats required

Easy Cleaning and Maintenance

Tempur Sealy mattresses are designed for easy care on both a daily and a long-term basis.

Covers and Encasements

While many of our mattress fabrics are antimicrobial and water-resistant, we recommend using mattress covers and encasements to protect your mattresses. Covers help prevent permanent damage to mattress layers, and encasements help prevent bed bug infestations.

Regular Housekeeping

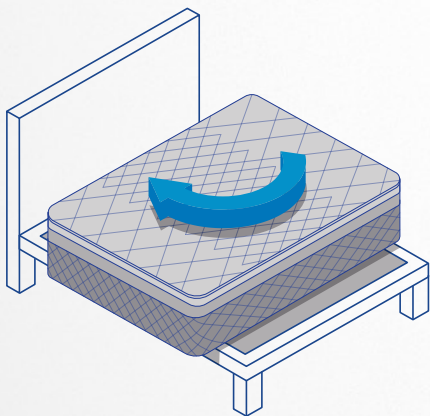
Regularly vacuum bare mattresses to remove dust and allergens. Regularly wash and / or replace mattress covers. If a thread comes loose, simply cut it with scissors rather than pulling it.

Cleaning Spills and Stains

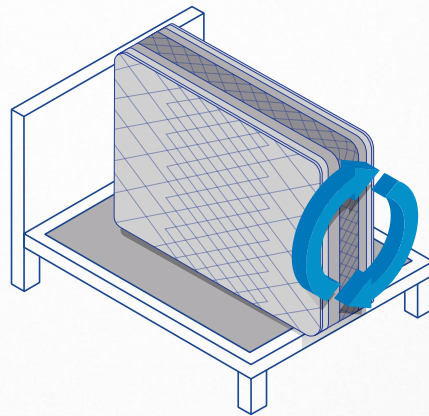
Mattresses should never get wet. Use waterproof mattress covers and encasements whenever possible. If a mattress does get wet, use a towel to remove excess moisture and air-dry. If you must clean a stain, use mild soap with cold water and apply lightly. Don't use dry-cleaning fluid of any type on any mattress.

Flipping and Rotating

Flip or rotate mattresses at least once every three months. We recommend once a month to maximize comfort life.



One-sided Mattresses
Rotate 180° every 3 months



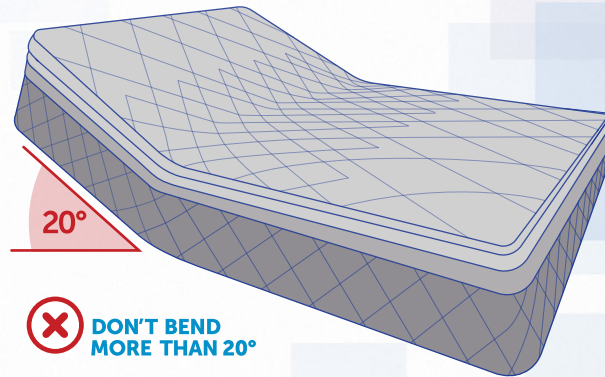
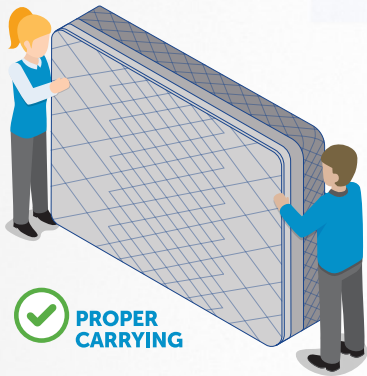
Two-sided Mattresses
Flip every 3 months

Moving and Storage

Following Tempur Sealy's guidelines for moving and storing mattresses will help maximize their comfort life.

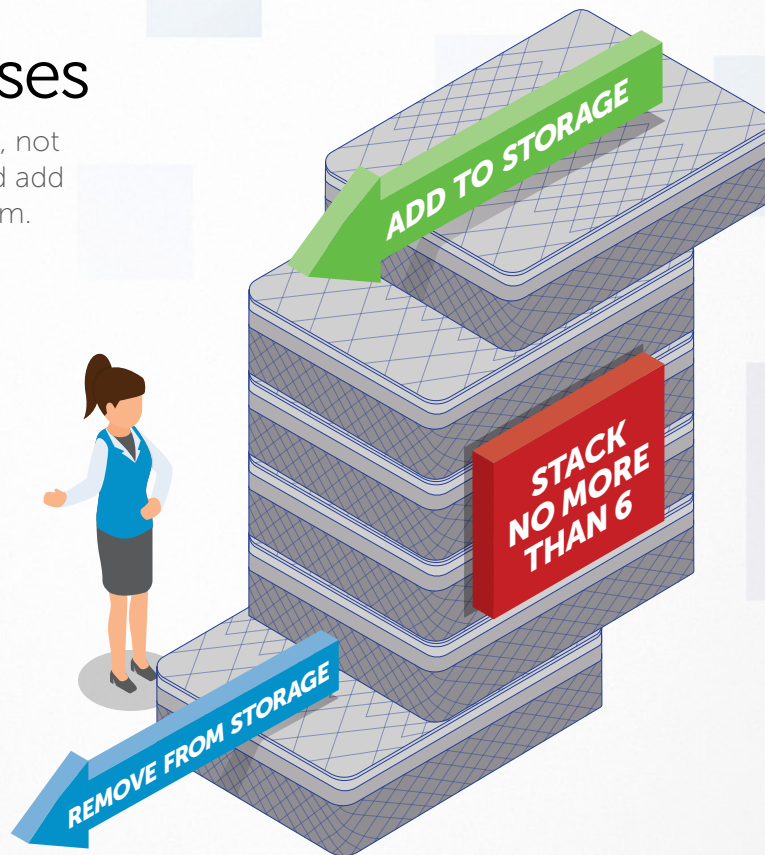
Moving Mattresses

Take care when moving mattresses so you don't accidentally damage them.



Storing Mattresses

Store extra mattresses in flat stacks, not on their ends or sides. Remove and add mattresses according to the diagram.



WARRANTY

The guidelines in this document will help your warranty remain valid. Most importantly, do not remove the law tag label from the head of the mattress. Keep a copy of it on file, along with your original invoice / bill of lading, in case a warranty issue arises. Read Tempur Sealy's full warranty information at tempursealyhospitality.com/warranty-information.html

TEMPUR+SEALY

Iconic brands. Storied history. Industry-leading innovation.

Tempur Sealy International, Inc. (NYSE:TPX) is the world's largest bedding provider. Tempur Sealy International develops, manufactures and markets mattresses, foundations, pillows and other products. The Company's brand portfolio includes many of the most highly recognized brands in the industry, including Tempur®, Tempur-Pedic®, Sealy®, Sealy Posturepedic®, Optimum™, and Stearns & Foster®. World headquarters for Tempur Sealy International is in Lexington, Kentucky.

866.251.6471 | tempursealyhospitality.com

